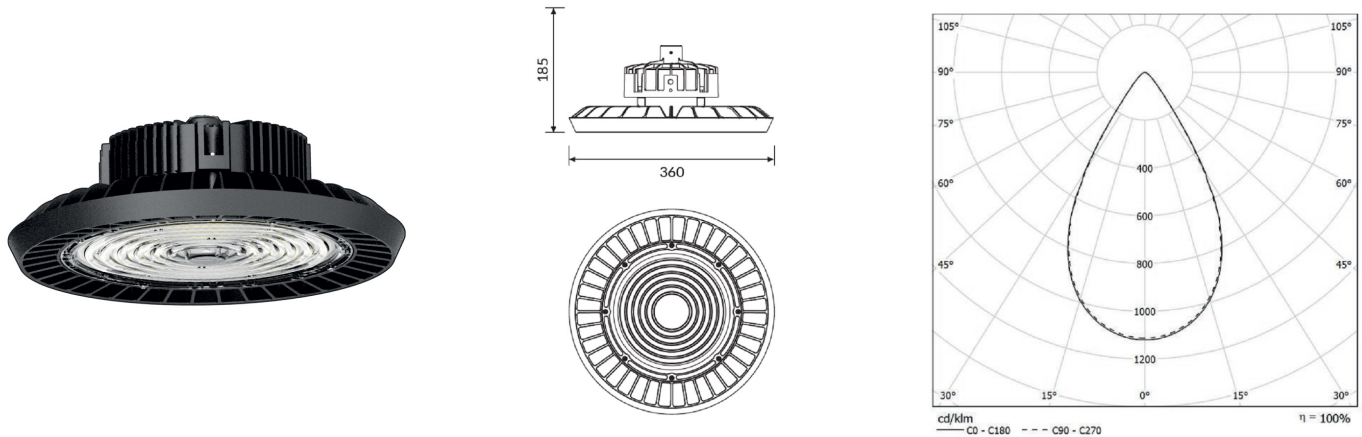


ERGO ESSENTIAL LARGE

die-cast aluminum with epoxy powder coating. CRI>80. IP65 indoor.



CODE		FLUX	SIZE	CERTIFICATIONS
02PC240K4110LE	240W 110° - 4000K	31200	360Ø	CE IP65 LED ENERGY EFFICIENCY CLASS E

Ottica

Polycarbonate lens , emission 60°-110°

Specifiche

color temperature: 3000K/4000K

CRI>80

McAdams 3

IK10

Life Time: L80/B10 >50.000h

5 years warranty

Eye Safety: RG0/RG1 in accordance with con EN62471:2009

temperature range: -30° / +45°

Corpo

Manufactured from die-cast aluminum with epoxy powder coating.

Riferimento Normativo

In compliance with the safety standards EN 60 598-1 and UNI EN 12464-1 (lighting for working places)

Wiring

RE: Standard wiring is 230-240V/50-60Hz with power factor >0.97